

GRIPPER

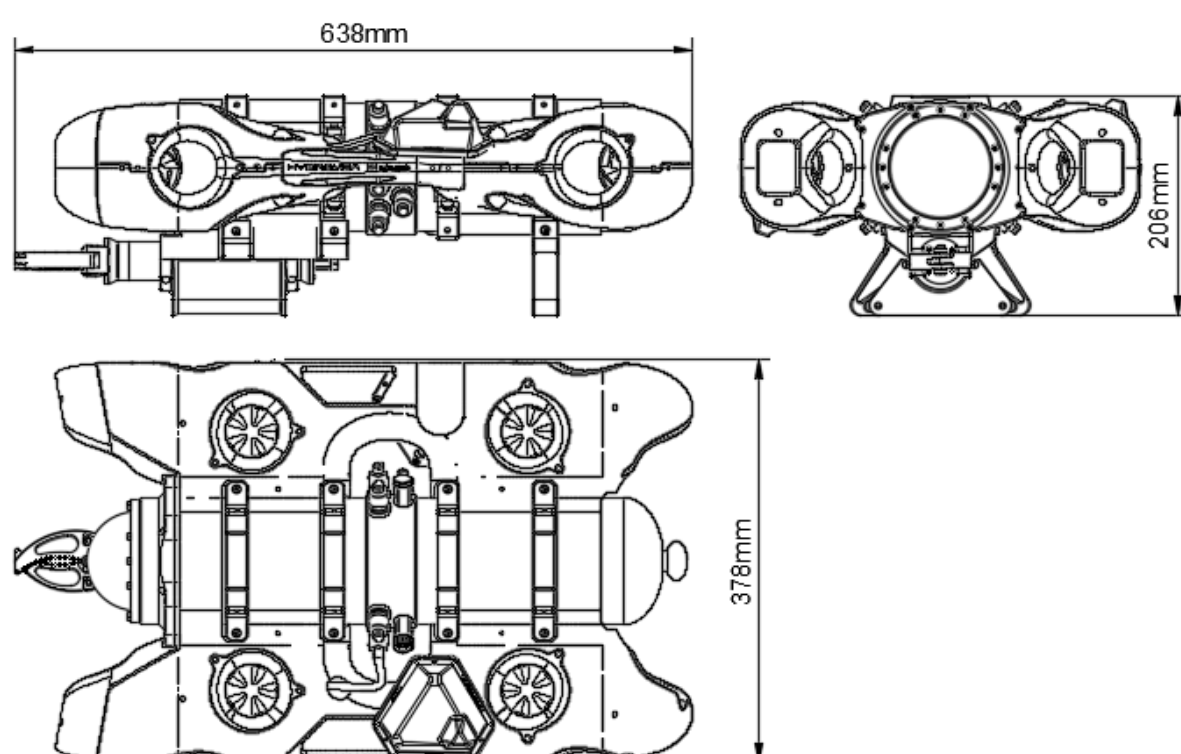
The Gripper supplied by BlueRobotics equips the **EXRAY™** with the capability to interact with the underwater environment, enabling tasks such as retrieving objects, attaching recovery lines, or freeing a snagged tether.

The Gripper is a fully integrated solution with **NAVIA™** without the need of an external system.



SYSTEM SPECIFICATIONS

Dimensions (L x W)	309.2 x 36 mm (12.17 x 1.42 in)
Weight in Air	524 g (18.5 oz)
Weight in Water	Neutrally buoyant
Pressure Rating	300 m (984 ft)
Supply Voltage	9 - 18 Volts
Grip Force	At Tip: 97N (22lbf) In Middle: 124N (28lbf)
Jaw Opening	62 mm (2.14 in)
Push-rod Axial Load Rating	3 kg (6.6 lb)



The Gripper as an optional payload allows **EXRAY™** to seamlessly interact with the subsea environment.



info@hydromea.com

V1.240926

HYDROMEAA