

SCANNING IMAGING SONAR

The Scanning Imaging Sonar is a mechanical scanning sonar designed for underwater navigation and imaging supplied by BlueRobotics.

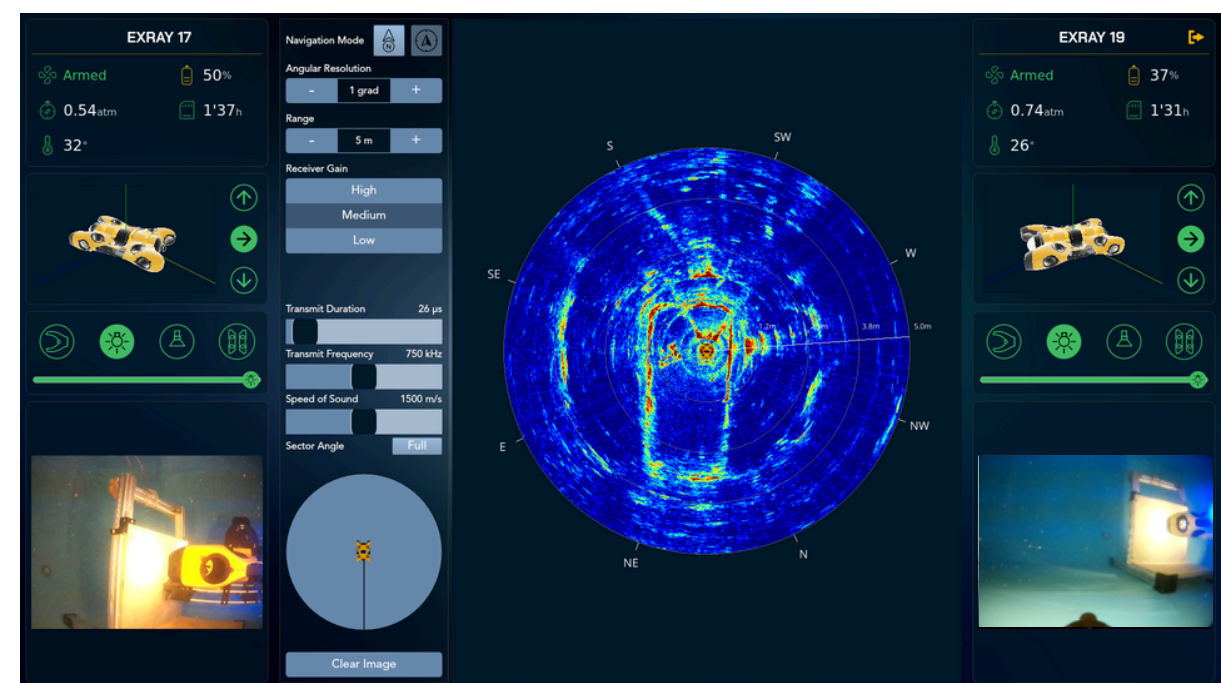
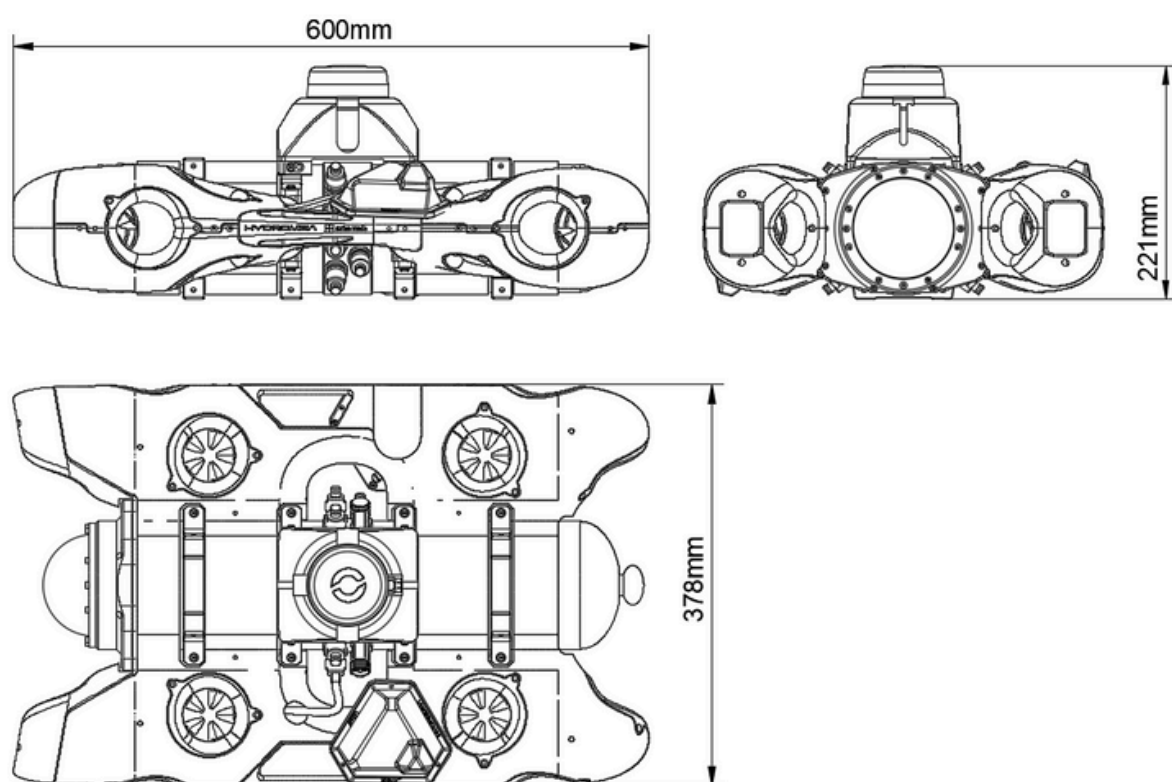
It aids in **EXRAY™** navigation by providing a top-down view of surroundings, using an acoustic transducer mounted on a rotating motor to produce detailed circular images of the underwater environment. This is a fully integrated solution with **NAVIA™**, allowing rotation and position compensation.



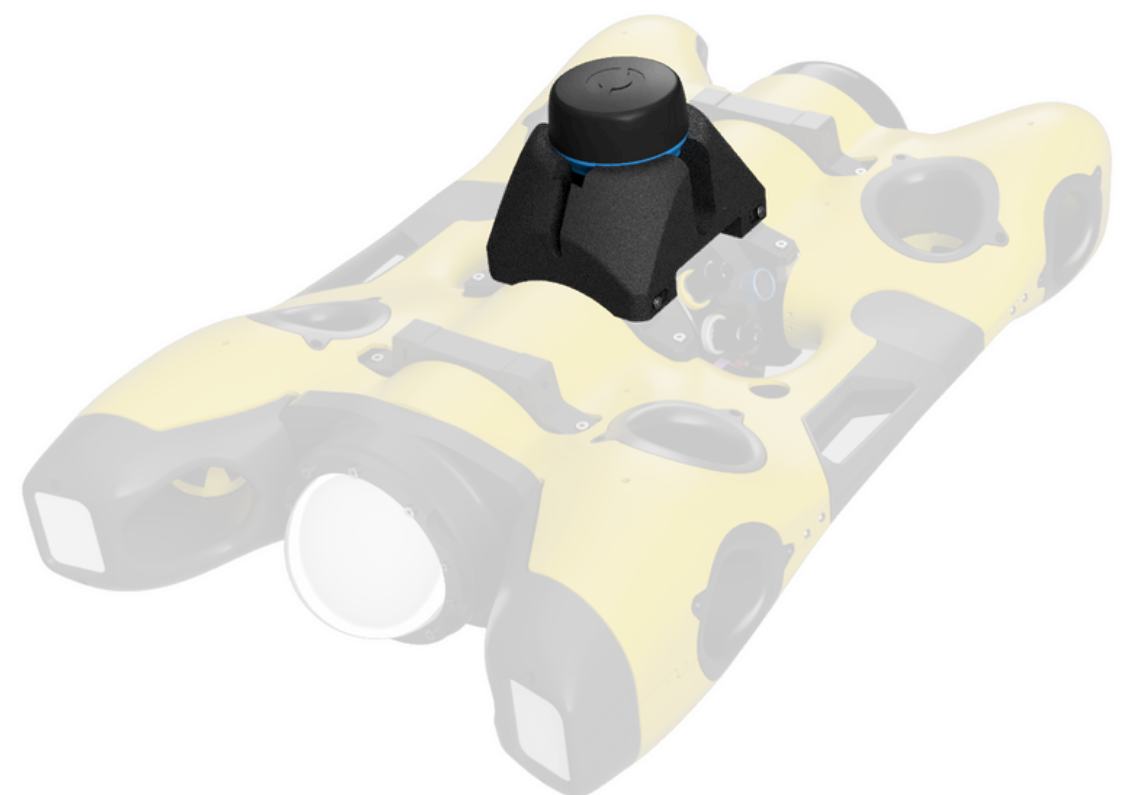
SYSTEM SPECIFICATIONS

Weight	770 g (27.16 oz)
Minimum Range	0.75 m (2.5 ft)
Maximum Range	50 m (165 ft)
Scanned Sector	Variable up to 360°
Scan Speed at 2m	9 sec / 360° *
Scan Speed at 50m	35 sec / 360° *
Pressure Rating	300 m (984 ft)
Temperature Rating	0°C to 30°C (32°F to 86°F)

**PRELIMINARY SPECIFICATIONS - MAY BE SUBJECT TO CHANGE WITHOUT NOTICE*



No external software is needed as the data management system is fully integrated in **NAVIA™**.



info@hydromea.com

V1.240926

HYDROMEAA