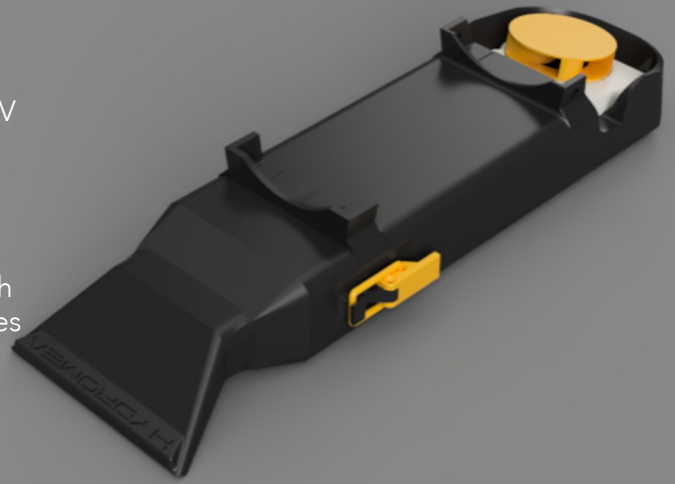


SPEERA™ VACUUM CLEANER

SPEERA™ VACUUM CLEANER turns EXRAY™ ROV into a mighty underwater Hoover that will clean up sediment on the bottom of tanks.

This is an optional streamlined payload that has been uniquely designed for EXRAY™ ROV to reach any remote area thanks to the various nozzle shapes and ROV exceptional maneuverability.

With different mesh and nozzle sizes, it will effectively remove sediments, small rocks and debris. Can be further customized on request.



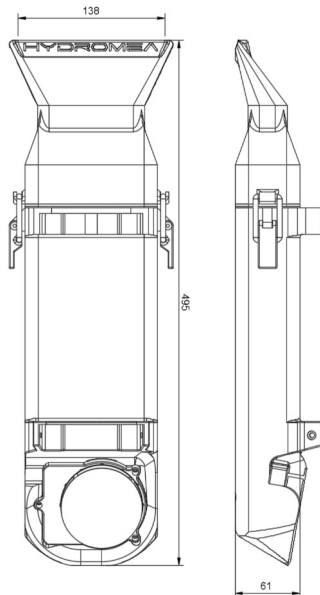
SYSTEM SPECIFICATIONS

Dimensions (LxWxH) 50x14x6cm (20x5.5x2.4in)

Weight in air 800g (1.76lbs)

Rated voltage 16V

Rated power 50W



OPTIONS

LARGE SIZE SEDIMENT

Mesh/inch 100 (150µm)

Nozzle Large and round

Sediments size Max ~ 2cm (0.78in)

Sediments weight Max ~ 20g (0.7oz)

MEDIUM SIZE SEDIMENT (AS SHOWN)

Mesh/inch 200 (75µm)

Nozzle Wide

Sediments size Max ~ 0.5cm (0.2in)

Sediments weight Max ~ 5g (0.17oz)

SMALL SIZE SEDIMENT

Mesh/inch 500 (25µm)

Nozzle Extra wide

Sediments size Max ~ 0.1cm (0.04in)

Sediments weight Max ~ 1g (0.04oz)